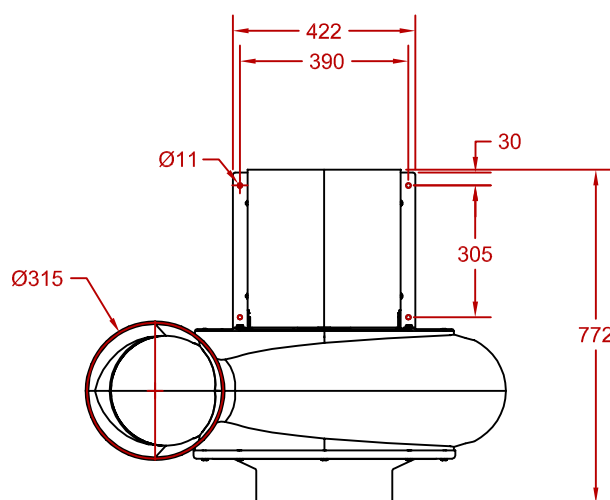
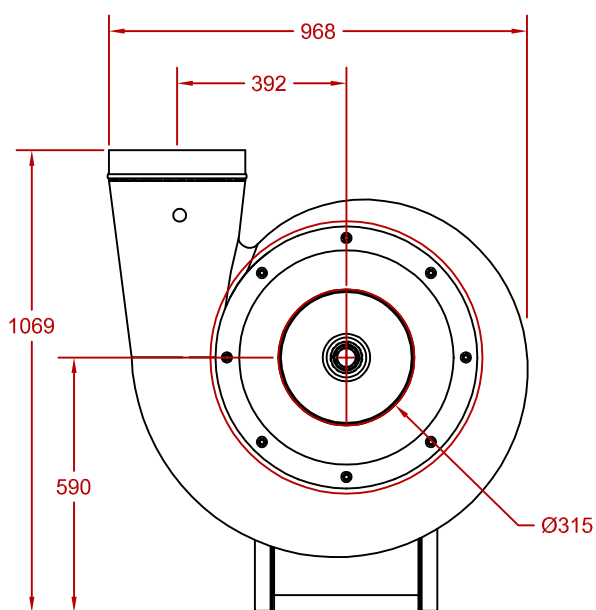
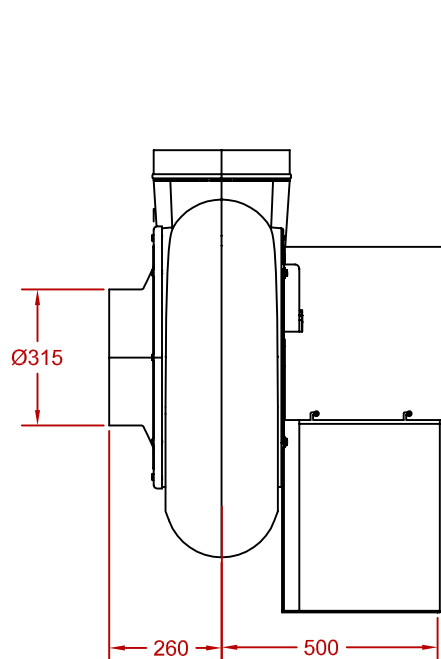


1

2

3

4



Ventilador M-315 rotomoldeo LG posición 2

MATERIAL: PPH / PVC / PPEL-S
 REVOLUCIONES: 1000 rpm / 1500 rpm
 POTENCIA: 1,5 kW / 2,2 kW
 PROTECCIÓN: IP 55
 ALIMENTACIÓN: Trifásica / Monofásica

Fecha: 04-01-2023

Dibujado: JFG

Unidad: mm

Rev: 1

Q Quimipol
 J. BLANCH FERRER, S.L.

These drawings are the property of Quimipol, and can not be reproduced or copied in the whole or in part. It is only to be used for the project and site specifically identified here in and is not to be used in any other project. It is to be returned upon request.